

# Travel Sax 2

## User Manual

Further information and other available languages of this manual, please visit:

[odiseimusic.com/get-started-ts2](https://odiseimusic.com/get-started-ts2):



This product utilizes rechargeable batteries. Don't connect this product to any power supply or adapter other than the one described in the manual or specifically recommended by OdiseiMusic.

This product should be used only with the components supplied, or in case it is used as a non-official accessory, please observe that the specifications are the same as the official ones.

**IMPORTANT:** Don't try to open or disassemble the Travel Sax 2. For any technical problems it may have, please contact Odisei Music for further information.

**SPECIFICATIONS SUBJECT TO CHANGE:** The information contained in this manual is believed to be correct at the time of printing. However, Odisei Music reserves the right to change or modify any of the specifications without notice or obligation to update existing units.

**ENVIRONMENTAL ISSUES:** Odisei Music strives to produce products that are both user-safe and environmentally friendly. We sincerely believe that our products and the production methods used to produce them meet these goals. In keeping with both the letter and the spirit of the law, we want you to be aware of the following:

This product is classified as Radio Equipment.

**Battery Notice:** This product incorporates a Li-Po type Battery.

**Disposal Notice:** Should this product become damaged beyond repair, or for some reason, its useful life is considered to be at an end, please observe all local, state, and federal regulations that relate to the disposal of products that contain lead, batteries, plastics, etc. If your dealer is unable to assist you, please contact Odisei Music directly.

**SERIAL NUMBER LOCATION:** The serial number is located on the instrument body, below the low keys.

### FCC INFORMATION (U.S.A)

**1. IMPORTANT NOTICE: DO NOT MODIFY THIS UNIT!** This product meets FCC requirements once it is produced and assembled. Modifications not expressly approved by Odisei Music may void your authority, granted by the FCC, to use the product.

This device complies with part 15 of the FCC Rules. Operation is subject to the following two conditions: (1) This device may not cause harmful interference, and (2) this device must accept any interference received, including interference that may cause undesired operation. Contains FCC ID: 2AC7Z-ESPWROOM32.

2. **IMPORTANT.** When connecting this product to accessories and/or another product, use only high-quality shielded cables. Cable/s supplied with this product **MUST** be used. Follow all installation instructions. Failure to follow instructions could void your FCC authorization to use this product in the USA.

3. **NOTE.** This equipment has been tested and found to comply with the limits for a Class B digital device, pursuant to part 15 of the FCC Rules. These limits are designed to provide reasonable protection against harmful interference in a residential installation. This equipment generates, uses, and can radiate radio frequency energy and, if not installed and used in accordance with the instructions, may cause harmful interference to radio communications. However, there is no guarantee that interference will not occur in a particular installation. If this equipment does cause harmful interference to radio or television reception, which can be determined by turning the equipment off and on, the user is encouraged to try to correct the interference by one or more of the following measures:

- Reorient or relocate the receiving antenna.
- Increase the separation between the equipment and receiver.
- Connect the equipment to an outlet on a circuit different from that to which the receiver is connected.
- Consult the dealer or an experienced radio/TV technician for help with devices.

**DECLARATION OF CONFORMITY.** The full text of the US Declaration of Conformity is available at the following internet address: [odiseimusic.com/get-started-ts2](http://odiseimusic.com/get-started-ts2)

## INDUSTRY CANADA REGULATORY INFORMATION

**IMPORTANT.** This product meets the applicable Innovation, Science, and Economic Development Canada technical specifications. This device contains license-exempt transmitter(s)/receiver(s) that comply with Innovation, Science and Economic Development Canada's license-exempt RSS(s). Operation is subject to the following two conditions:

1. This device may not cause interference.
2. This device must accept any interference, including interference that may cause undesired operation of the device.

This host device contains an ESP32 Transceiver Certified Bluetooth Module with ICC ID: 21090-ESPWROOM32.

**Radiation Exposure Statement.** The wireless product complies with IC radiation exposure limits for portable devices. This equipment complies with IC radiation exposure limits set forth for an uncontrolled environment. The device meets the exemption from the routine evaluation limits in section 2.5 of RSS 102, and compliance with RSS102 RF exposure, users can obtain Canadian information on RF exposure and compliance.

**Li-Po Battery Information.** This device includes a Li-Po Battery in conformity with IEC/EN 62133-2:2017.

## PRECAUTIONS: PLEASE READ CAREFULLY BEFORE PROCEEDING

### WARNING

Always follow the basic precautions listed below to avoid the possibility of serious injury or even death from electrical shock, short-circuiting, damage, fire, or other hazards. These precautions include, but are not limited to, the following:

- Do not open the instrument or attempt to disassemble the internal parts or modify them in any way. The instrument contains no user-serviceable parts. If it should appear to be malfunctioning, discontinue use immediately and have it inspected by qualified Odisei Music service personnel.
- Do not expose the instrument to rain, use it near water or in damp or wet conditions, or place containers on it containing liquids that might spill into any openings.
- Use the specified adaptor recommended by Odisei Music only (or another one with the same specifications). Using the wrong adaptor can result in damage to the instrument or overheating.
- Before cleaning the instrument, always remove the electric plug from the outlet. Never insert or remove an electric plug with wet hands.
- Check the electric plug periodically and remove any dirt or dust that may have accumulated on it.
- Keep this product always out of reach of children. It is not a toy.

### CAUTION

Always follow the basic precautions listed below to avoid the possibility of physical injury to you or others, or damage to the instrument or other property. These precautions include, but are not limited to, the following:

- Do not place the product and the cable charger near heat sources such as heaters or radiators, and do not excessively bend or otherwise damage the cord, place heavy objects on it, or place it in a position where anyone could walk on, trip over, or roll anything over it.
- When removing the cable charger from the instrument or an outlet, always hold the plug itself and not the cord.
- Do not expose the instrument to excessive dust or vibrations, or extreme cold or heat (such as in direct sunlight, near a heater, or in a car during the day) to prevent the possibility of damage to the internal components.
- Do not place the instrument in an unstable position where it might accidentally fall over.
- Before moving the instrument, remove all connected adaptors and other cables.
- When cleaning the instrument, use the Odisei Music cloth included or a soft and dry cloth. Do not use paint thinners, solvents, cleaning fluids, or chemical-impregnated wiping cloths.
- Also, do not place vinyl or plastic objects on the instrument, since this might discolor the keyboard.
- Do not rest your weight on or place heavy objects on the instrument, and do not use excessive force on the buttons, switches, or connectors.

- This product, with an amplifier and headphones or speaker/s, may be capable of producing sound levels that could cause permanent hearing loss. Do not operate the instrument for a long period of time at a high or uncomfortable volume level, since this can cause permanent hearing loss. If you experience any hearing loss or ringing in the ears, consult a physician.

**IMPORTANT:** The louder the sound, the shorter the time period before damage occurs.

- Always turn the power off when the instrument is not in use.
- The Travel Sax 2 should not be exposed to water (dripping or splashing), and no objects filled with liquids, such as vases, should be placed on the apparatus.
- Do not use the Travel Sax in conditions with extremely low air pressure.

Odisei Music cannot be held responsible for damage caused by improper use or modifications to the instrument, or data that is lost or destroyed.

### EU SIMPLIFIED DECLARATION OF CONFORMITY

Hereby, Odisei Music declares that the radio equipment type Travel Sax Model TS-02 is in compliance with Directive 2014/53/EU & Directive 2011/65/EU. The full text of the EU Declaration of Conformity is available at the following internet address: [odiseimusic.com/get-started-ts2](http://odiseimusic.com/get-started-ts2)

### MAINTENANCE

We have designed the Travel Sax 2 to be durable and easy to use, but regular cleaning and maintenance will ensure that it stays in good condition. It will also give you the best possible experience while playing it.

- After playing, take off the mouthpiece and blow the Travel Sax 2 without it to remove all the saliva that hasn't been removed from the inside.
- When not in use, keep the mouthpiece and the reed dry and clean. For better cleaning, use some water and a cloth for drying.
- Make sure that both the adaptor and Travel Sax 2 connection are completely clean after you play.
- For better hygiene, always clean the saliva on the inner side of the blowing tube of the Travel Sax 2 by using a cleaning cloth. Also, remember to clean the bottom of the Travel Sax 2, where the saliva comes out.
- Use the Odisei Music microfiber cloth to remove the dust carefully from the Travel Sax.
- Never apply water directly to the Travel Sax 2.

### TERMS OF WARRANTY

**REFUND POLICY.** The consumer has a total of 14 days from the acquisition of the Travel Sax 2 to be able to return the product, thus receiving a full refund of the price of it. The product must be in the same state and with all the original content, in order to receive a full refund. Shipping costs will be paid by the customer.

**WARRANTY.** Odisei Music warrants the included hardware product and accessories against defects in materials and workmanship for three years from the original date of

purchase for the EU and for one year for the rest of the countries. Unless proven otherwise, it will be presumed that the breaches of conformity manifested in a period of six months from the delivery of the goods already existed on that date.

The warranty will not cover the repair costs of the following cases: Misuse of Travel Sax 2, whether subject to extreme conditions, as using it incorrectly. Improper handling of the product. Normal wear and tear, nor damage caused by accident or abuse. Malfunction due to the use of accessories not authorized by Odisei Music.

## GET STARTED

You can find all the getting-started videos on our webpage:

[odiseimusic.com/get-started-ts2](https://odiseimusic.com/get-started-ts2)

or here:



1. Download for free the Travel Instruments app from Apple Store & Google Play.
2. To pull out your Travel Sax 2 from the case, carefully pull the body, avoiding pulling the keys.
3. Turn on your Travel Sax 2 by pressing one time the power button. To turn it off, hold down the button for about 3 seconds.

Single PRESS - Turn On / Hold Down the Button - Turn Off

4. Slide down a little bit the reed of your mouthpiece for better playability of the Travel Sax 2 and avoid blowing noises. To facilitate the placement, we recommend adding some lubricant or oil to the O-rings of the Travel Sax 2 for a smooth connection.
5. Adjust your mouthpiece to the adaptor in case you don't use an Alto mouthpiece. Mount your mouthpiece by rotating it. If it is hard to plug it, you can also use some oil or lubricant to make it easier.
6. On the main page of the app, you will be able to choose between different sounds ("Sounds"), modify some sound parameters to improve your experience ("Effects"), and modify fingerings ("Edit Fingerings").
7. To charge your Travel Sax 2, connect the USB-C cable to the input located under the power button.

### PACKING LIST

Once you open the Travel Sax 2 packaging, make sure that it includes all of the items listed below.

#### Travel Sax case

A hard case that will give full protection to your Travel Sax 2 while keeping all your accessories safe.

#### Travel Sax 2

A fully functional electronic sax to play anytime, anywhere.

#### Alto Mouthpiece

A standard Alto sax mouthpiece with reed and metal clamp is included. This mouthpiece can be used without any adapter.

#### x3 Mouthpiece adaptors

Three adapters to use your Travel Sax 2 with the mouthpiece of your choice (Soprano, Tenor, and Baritone).

#### Cable USB-C

Use the USB-C cable to charge your Travel Sax 2 and to plug it into your computer as a MIDI controller.

#### Microfiber cloth

Use the microfiber cloth to always keep your Travel Sax 2 clean from dust and saliva.

#### Accessory bag

The bag allows you to store the adapters and other accessories, such as the charger, thus ensuring that they are not lost.

### TROUBLESHOOTING

You can check this information by scanning this QR code:



Problem	Cause and Solution
No power	The Travel Sax 2 ran out of battery. Plug in the charger cable.

<p>No sound</p>	<p>Make sure the Travel Sax 2 is turned on. Check the volume of the Travel Sax 2 in the App. Make sure your headphones work.</p>
<p>Bluetooth pairing doesn't work well</p>	<p>Switch Bluetooth off and on again on your Bluetooth device, then try pairing again. Make sure your Bluetooth device is on. Remove the obstacle in the path of the Bluetooth device and the unit. Make sure the distance between both devices is less than 6m.</p>
<p>The app doesn't work properly</p>	<p>Make sure that your smart device is compatible with the app. Make sure that the application is the latest version.</p>
<p>The keys of the Travel Sax 2 have come loose</p>	<p>If the keys are broken, please report it to Odisei Music. If the keys have become loose, follow the video instructions by scanning the QR code at the top of this box. Check that the springs are not damaged. In the case that they have, report it to Odisei Music.</p>
<p>The Travel Sax must be repaired</p>	<p>First schedule remote repair in: <a href="http://tidycal.com/travelsax2/support">tidycal.com/travelsax2/support</a></p>

## SPECIFICATIONS

### Dimensions

9.45 x 5.12 x 3.54 in / 24 x 13 x 9 cm

### Weight

11.82 oz / 335 g.

### Operating temperature

50 °F to 97 °F / 10 °C to 36 °C

### Operating humidity

20% to 80%

### Material composition

ABS + PC

### Bluetooth Module

ESP-WROOM-32

2.4GHZ Bluetooth transceiver

TX Max Power: 4 dBm

### Lithium Battery

Li-Po: 1.500 mAh

Input: 5 V DC 0.8 A

Model

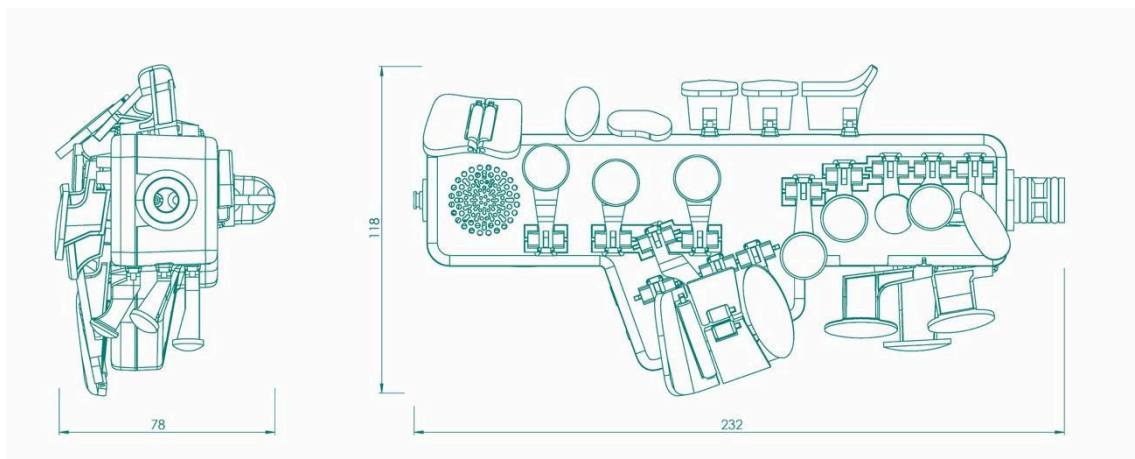
TS-02

Hardware Version

V2.0

Software Version

V2.0



CONTACT US  
BASIC INFORMATION

1. Brand

odiseimusic

2. Date of manual publication:

May 2025

For details or questions regarding the product use, technical troubleshooting, or warranty, please contact us:

ODISEI MUSIC S.L

Calle Doctor Murillo 10, Sant Cugat del Vallés, 08172, Spain

Telf: +34 649 108 959

info@odiseimusic.com

[odiseimusic.com](http://odiseimusic.com)

© 2025 Odisei Music S.L. All rights reserved. Travel Sax 2 and the Odisei Music logo are registered trademarks of Odisei Music in the EU and registered in many other countries. Travel Sax 2 is a trademark of Odisei Music. The Bluetooth® word mark and logos are owned by the Bluetooth SIG, Inc., and any use of such marks by Odisei Music is under license. Design and specifications are subject to change without notice. The Travel Sax 2 may not be authorized for use in some countries.



204-420020